

10.5

CGLine+ self-contained luminaire system

CGVision with the CGLine+ Web Controller



CGVision with the CGLine+ Web Controller

The Web Controller can be connected to CGVision, the powerful visualisation software, to create the largest configuration level of the CGLine+ system. In this set-up, up to 32 CGLine+ Web Controllers can be visualised at once.

Using CGVision both CGLine+ luminaire systems and other emergency lighting systems (for example ZB-S, LP-STAR, AT-S+) can be monitored with a single software. There is no difficulty in extending an existing system.

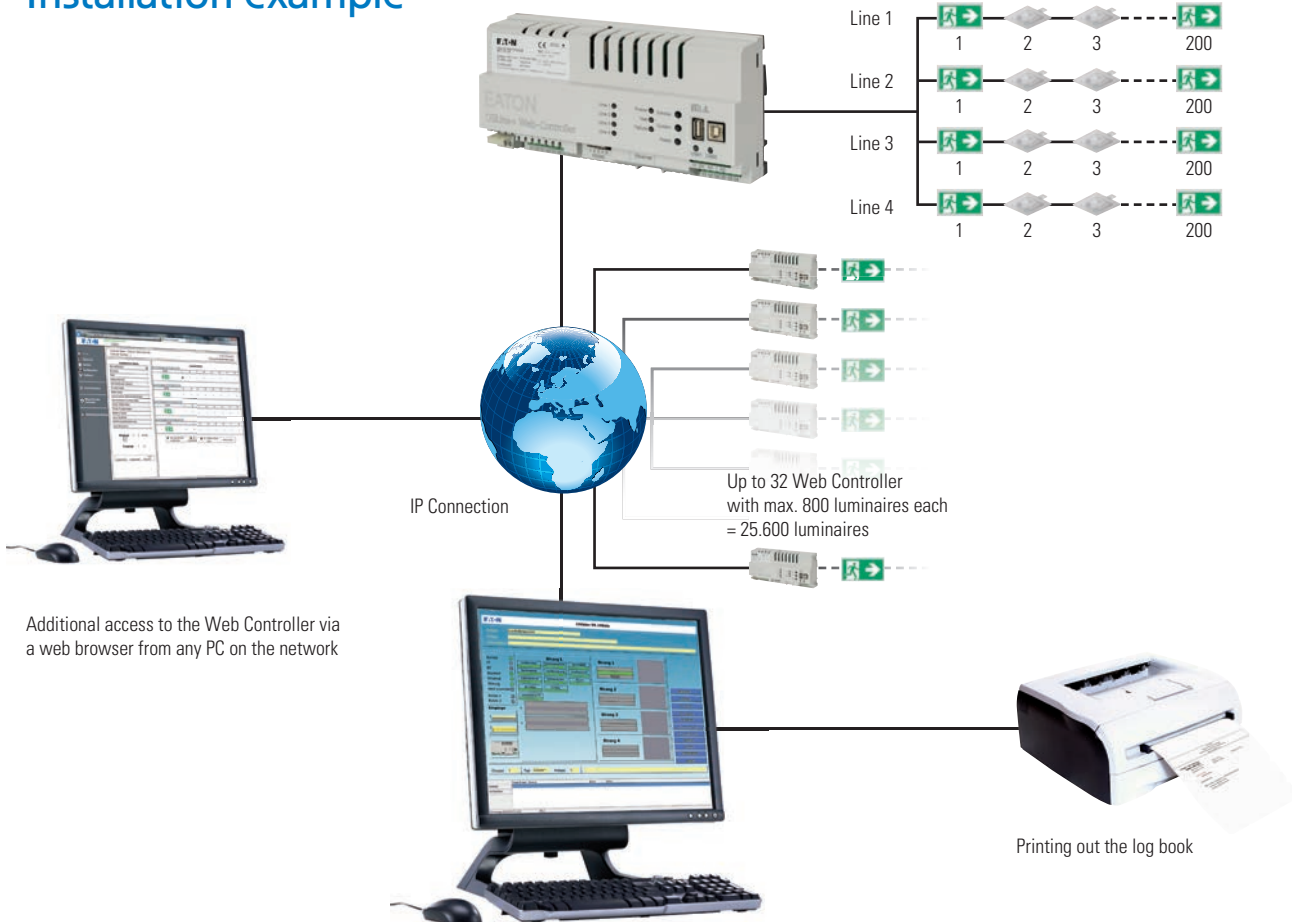
CGVision takes over all the control and test functions, and it generates a comprehensive electronic log book for all connected systems - and does so completely automatically.

In order to keep an eye on a large amount of equipment, for example at a large plant or an airport, the state of the individual emergency lighting systems can be presented on an aerial photo or a site plan. The building layout helps visualise individual luminaires.

Access of any PC via the web server of the CGLine+ Web Controller can also be carried out if it is connected to CGVision. Thus for example, large, multi-building facilities can be configured and monitored centrally using CGVision. Additionally service technicians can have an overview of areas of interest to them using the Web Controller.

Installation example

CGLine+ Web Controller with integrated memory for storing the configuration and the log book



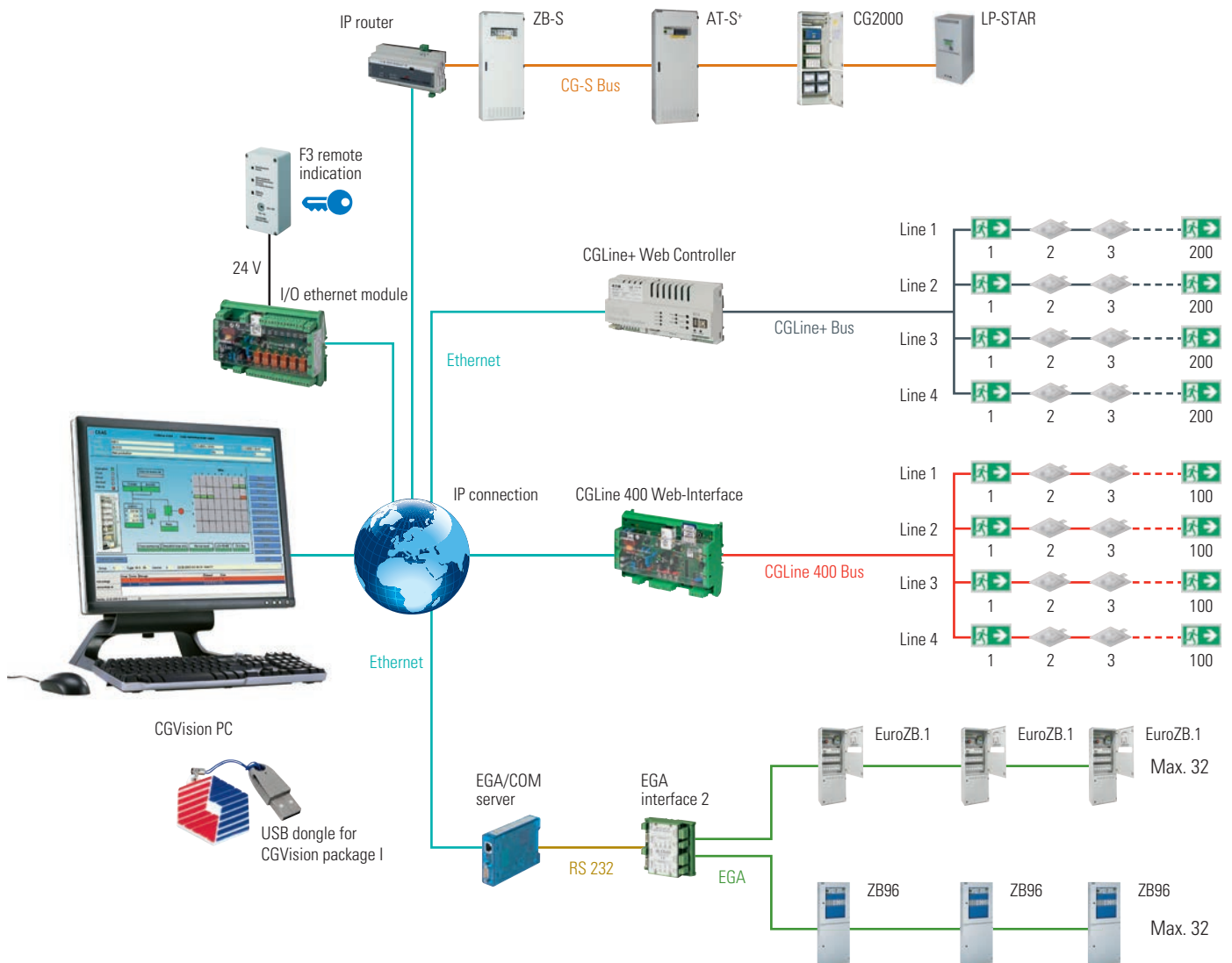
Additional access to the Web Controller via a web browser from any PC on the network

Printing out the log book

CGVision PC : Configuration and complete visualisation of all luminaires

 Do not connect a CGVision Touchscreen Controller with a CGVision PC

Example for use of CGVision Package I



CGVision ordering details

Scope of supply	Order No.
CGVision Basic Package I (with CG-S/IP interface)	40071361020
CGVision Basic Package II (EGA components to be ordered separately)*	40071361022
CGVision Basic Package III (with CG-S/USB interface, EGA components to be ordered separately)	40071361024
CGVision Pro Package I (including CG-S/IP interface and visualisation in a building layout)	40071361021
CGVision Pro Package II (including visualisation in a building layout, EGA components to be ordered separately)*	40071361023
CGVision Pro Package III (including CG-S/IP-Interface and visualisation in a building layout, EGA components to be ordered separately)	40071361025
PC-Anywhere remote maintenance software, 2nd licence 1 x host, 1 x remote	40071347151

For a detailed description and ordering information, see section CGVision in the emergency lighting main catalogue.

*Preferred solution for CGLine+

