

Installation and Operation Manual

Velos Exit Sign (CG-S)



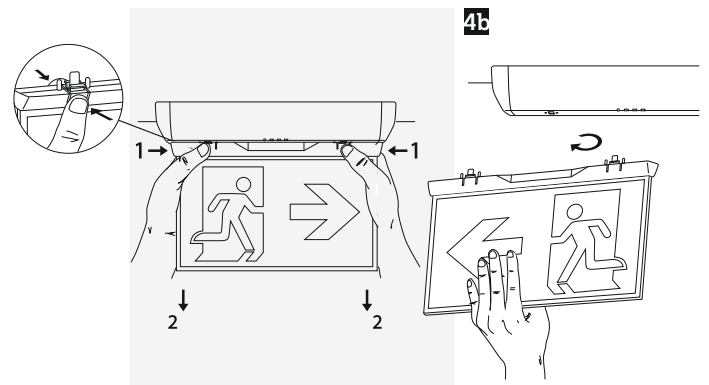
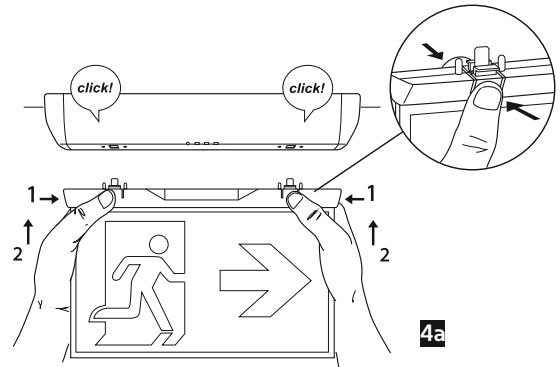
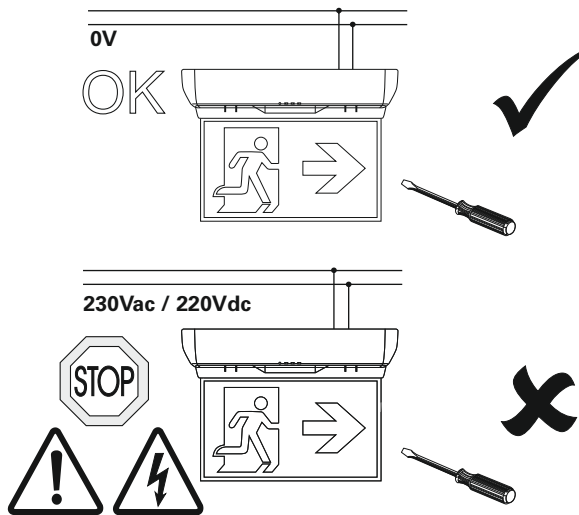
EAT•N

Powering Business Worldwide

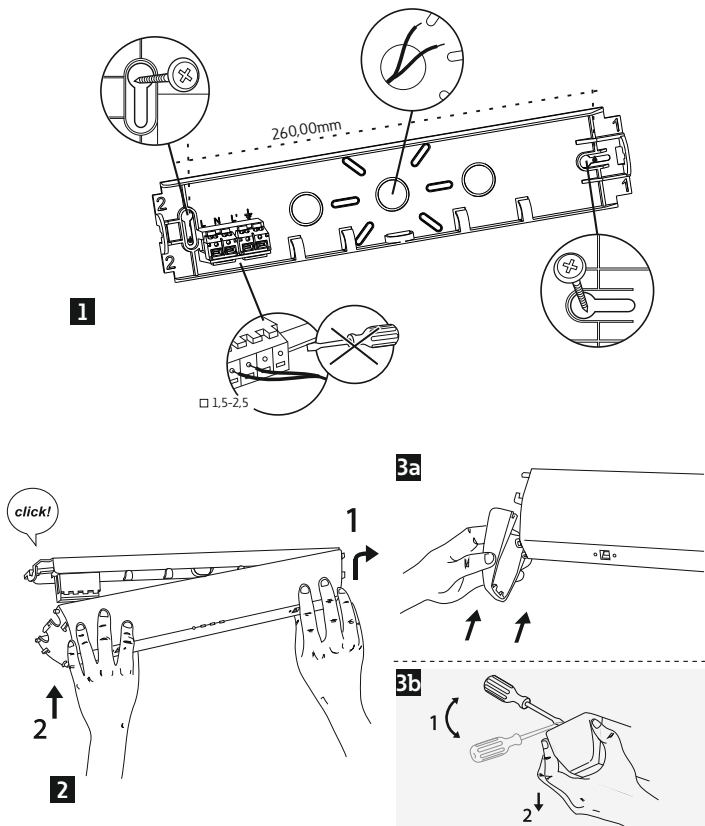
Velos Exit Sign - Installation & Operating instructions

Safety Information

Observe the national safety rules and regulations to prevent accidents as well as the safety instructions included in these instruction leaflet.

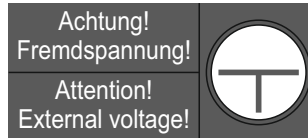


Step by step Mounting Instructions



Safety Notes

- The luminaire shall only be used for its intended purpose and in an indamaged and perfect condition!
- Only genuine Eaton spare parts may be used for replacement and repair!
- When working on the emergency luminaire first the system must be blocked, battery operation must be interrupted and mains must be cut off. Enclosed indication label on the emergency luminaire:



- Prior to its initial operation, the luminaire will have to be checked in accordance with the instructions as per section 'Installation'!
- Carry out the marking of the emergency luminaire:
- Assign the circuit, the luminaire no. and ID no. and enter them.
- The manual log book shall be performed in compliance with the national regulations. It is not applicable by automatic log book!
- Any foreign matter shall be removed from the luminaire prior to its initial operation!
- Observe the national safety rules and regulations for prevention of accidents as well as the safety instructions included in these operating instructions marked with ⚠

Velos Exit Sign - Installation & Operating instructions

Conformity with standards

Conforms to: EN 60 598-1, EN 60 598-2-22 and DIN EN 1838. Developed, manufactured and tested in accordance with DIN EN ISO 9001.

Technical Data (PSU / O-ES-CG-S)

AC Input voltage:	230V, 50/60 Hz, 7,5 VA / 4,5W
DC Input voltage:	176 - 275V 20mA
Enclosure material:	PC
Colour of enclosure:	white
Supply terminals:	plug-in terminal 2.5 mm ²
Insulation class:	II
Degree of protection acc. to EN 60529:	IP20
Admissible amb. temperature	+5°C to +40°C
Weight:	
O-ES-CG-S	0,35 Kg

Technical Data (Exit Sign)

DC Input voltage:	28V max 63mA max
Viewing distance:	30m and 40m
Enclosure material:	PC
Colour of enclosure:	white
Luminous flux phiE/phiNenn at the end of rated operating time:	100%
Degree of protection acc. to EN 60529:	IP20
Lamp:	24 LED strip
Admissible amb. temperature	+5°C to +40°C
Weight:	
O-ESP-xxx (30m)	0,55 Kg
O-ESP40-xxx (40m)	0,87 Kg

Brief description / Scope of application

The exit sign luminaire Velos V-CG-S is suitable for operation on CEAG emergency lighting systems acc. to EN 50 172, DIN VDE 0100-718 and E DIN VDE 0108-100 . The advanced switching and monitoring mode is only available in combination with CEAG CG-S technology.

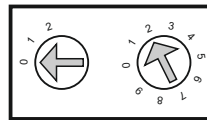
Installation / Operation



For the mounting and operation of electrical apparatus, the respective national safety regulations as well as the general rules of engineering will have to be observed!

Addressing / Single luminaire monitoring

LED converter controlled by a V-CG-S2 monitoring module having 20 addresses for individual monitoring of luminaire correct operation. Before fitting the luminaire, the individual addressing will have to be performed. To do so, the desired address (1-20) is set on the address switch by means of a suitable screw driver. If the luminaire should not be monitored, the code 0/0 has to be selected.



Address switch 1 (Tens)	Address switch 2 (Units)	Luminaire address
0	0	Monitoring off
0	1	1
0	2	2
...
1	1	11
...
2	0	20

Inspection/Maintenance/Repair



Observe the valid regulations for the inspection, maintenance and repair of electrical equipment!

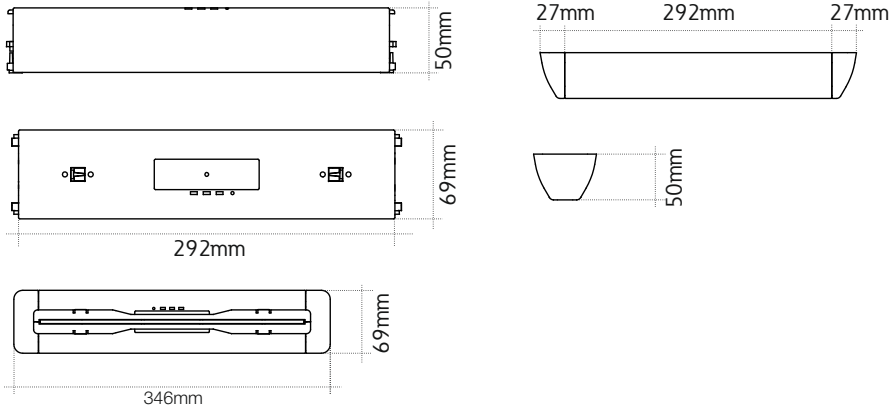
Disposal / Recycling

When disposing of faulty equipment, observe the valid regulations for recycling and disposal. Plastic parts are marked with the appropriate symbols.

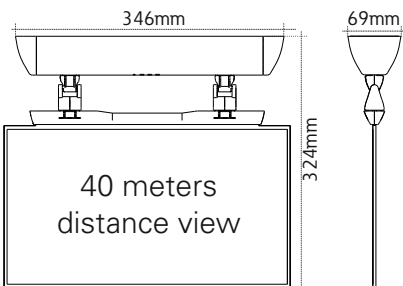
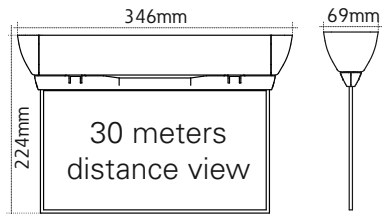
The light sources of Velos Exit Signs are not replaceable. When a light source reaches its end of life the whole sign shall be replaced.

Dimensions

dimensions - PSUs



dimensions - Emergency sign



Eaton Industries Manufacturing
 Electrical Sector EMEA
 Route de la Longeraie 7
 1110 Morges, Switzerland
 Eaton.eu

Cooper Univel S.A.
 Thessalonikis 88
 60134 Katerini, Greece

© 2015 Eaton
 All Rights Reserved
 Printed in EU
 Publication No. 1-05-253E
 October 2015