

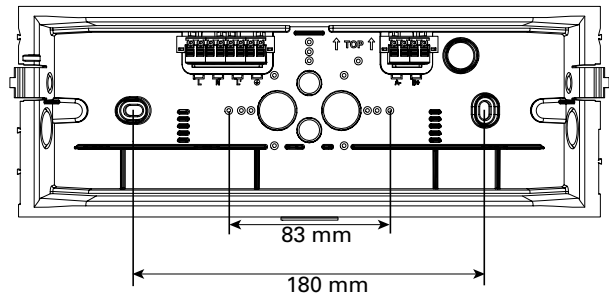
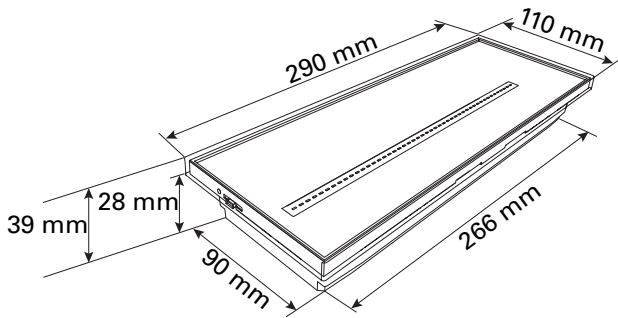
# NexiTech LED IP40 IK03 Lithium Ion



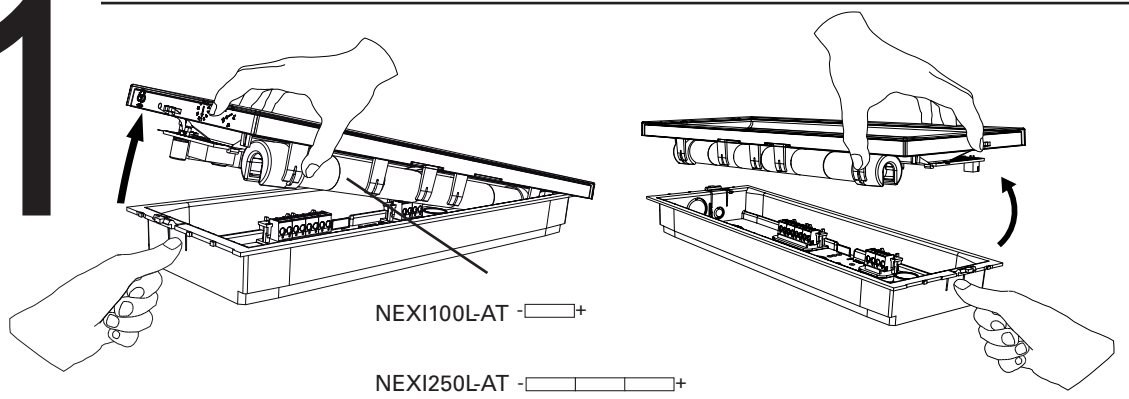
 	 x1		2xØ 5 mm	
			#2	Ref. 919-000-002 F=1600 g
			#2	

Before use

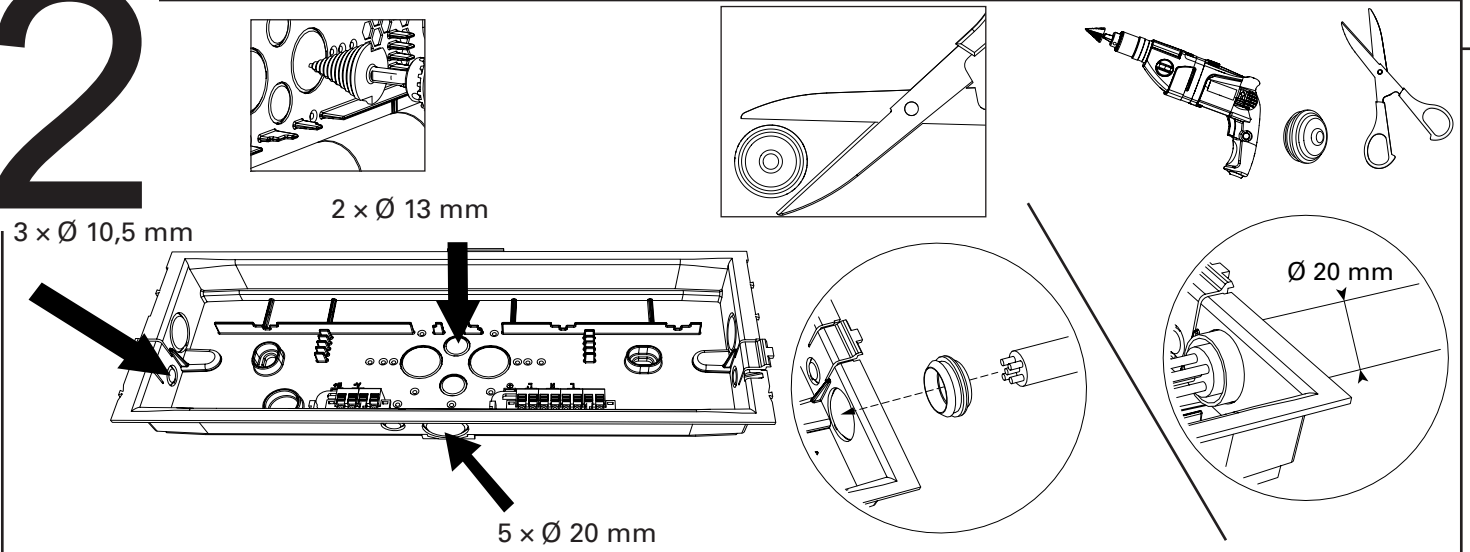
14h



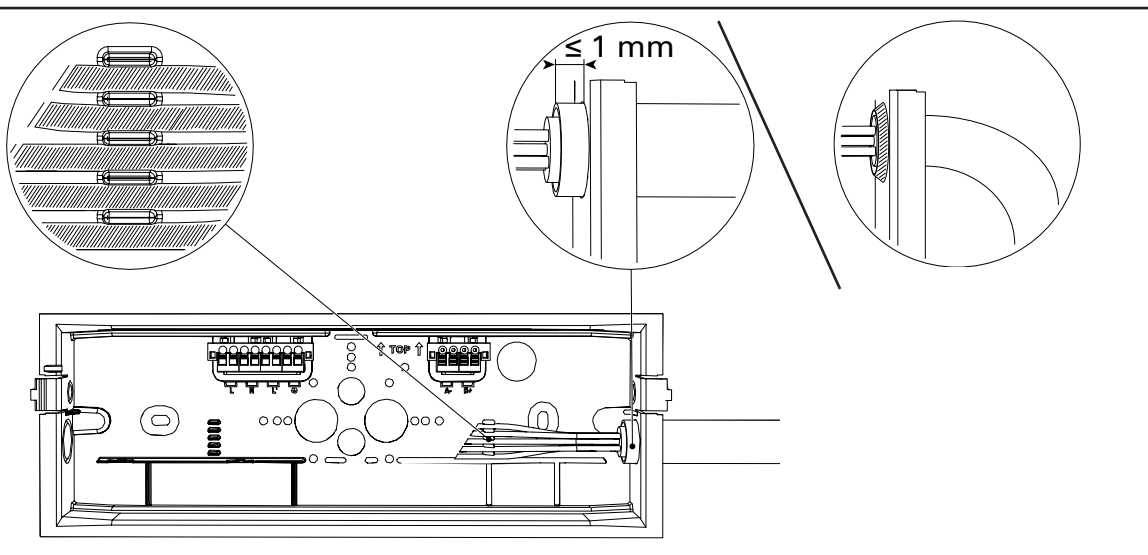
# 1



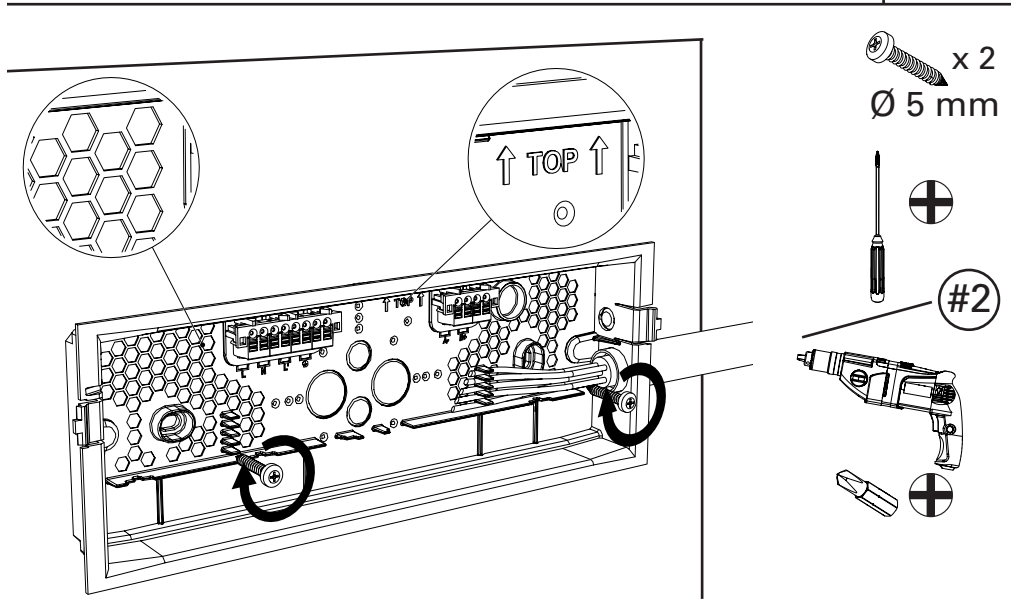
# 2



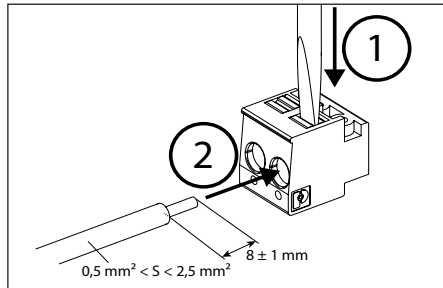
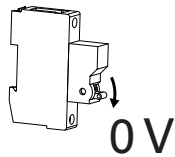
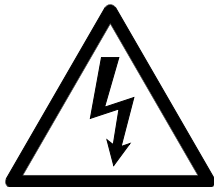
# 2



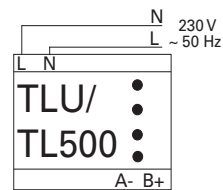
# 3



# 4



See  
LUM10312 / LUM10313



230 V  
~ 50 Hz

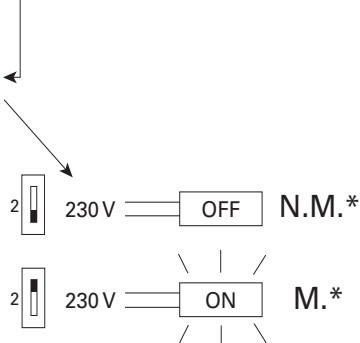
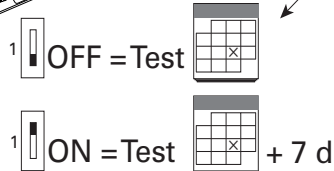
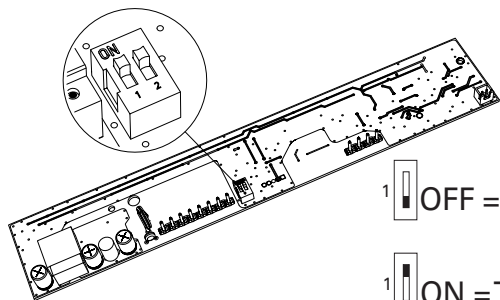
L  
N  
L

N.M./M.

or



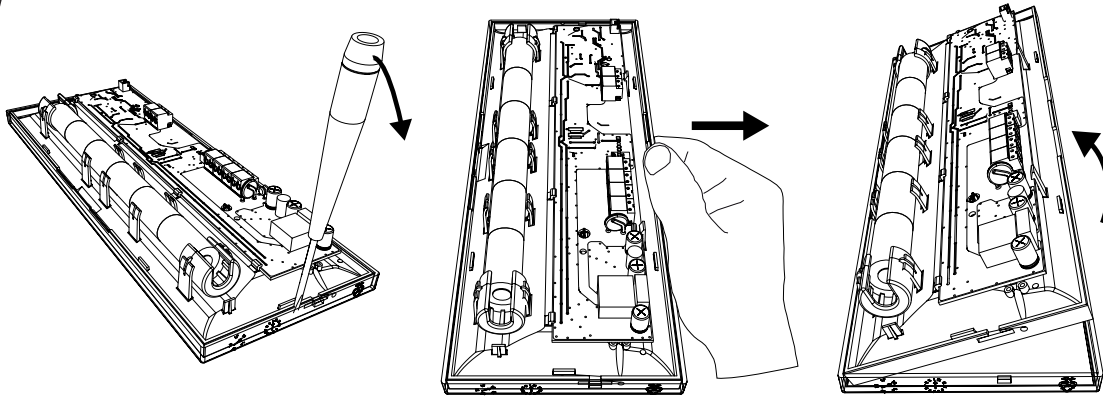
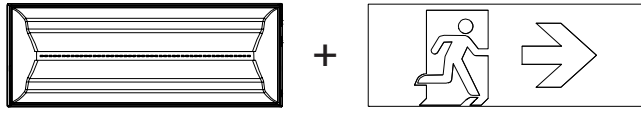
$\sim 230\text{ V}$



\*N.M. Non Maintained  
M. Maintained

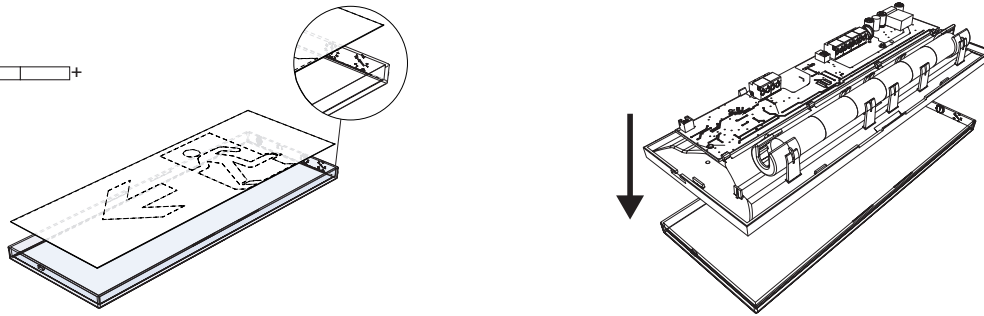
# 5

option

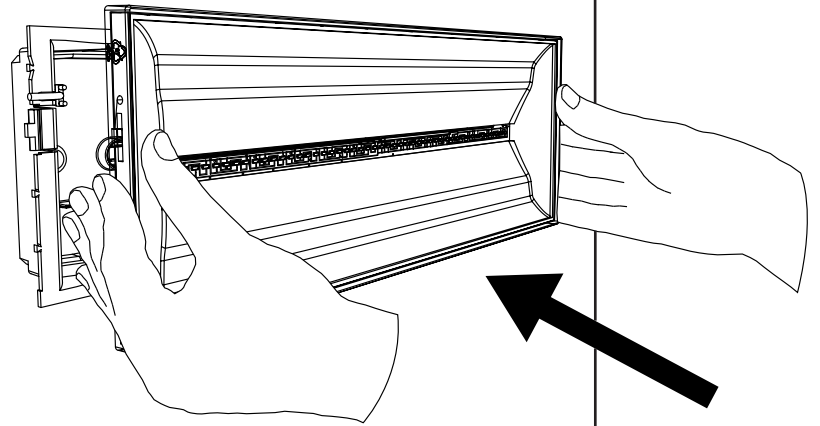


NEXI100L-AT - [ ] +

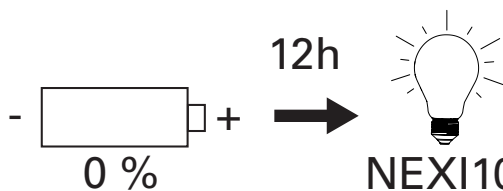
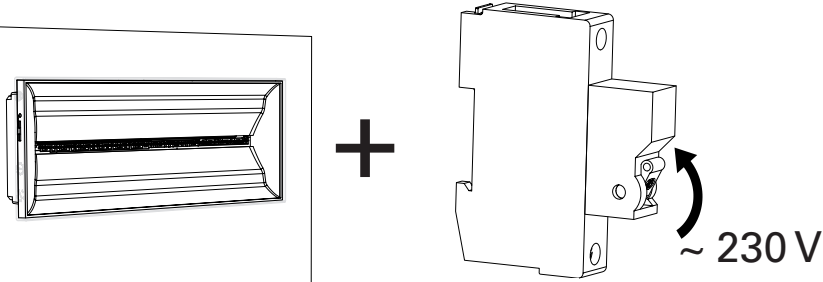
NEXI250L-AT - [ ] [ ] [ ] +



# 6

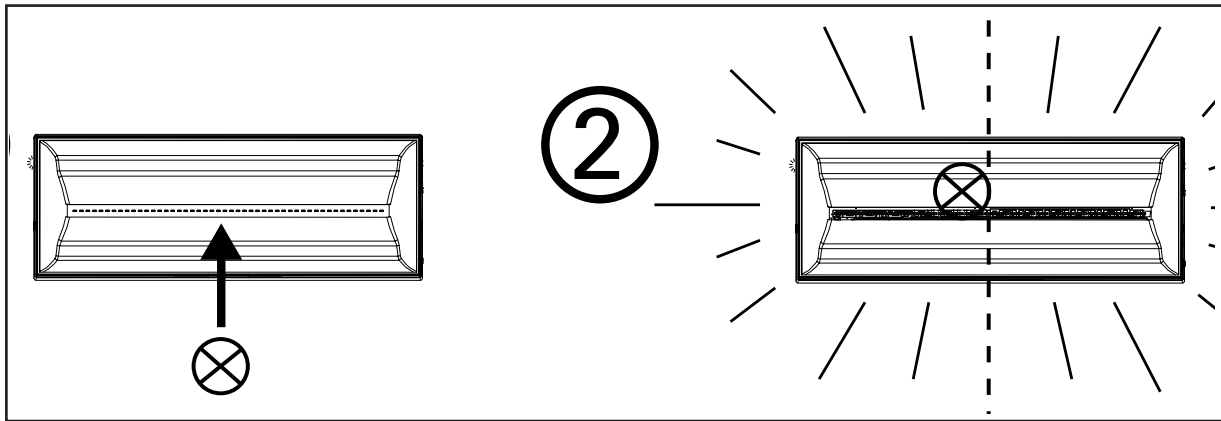
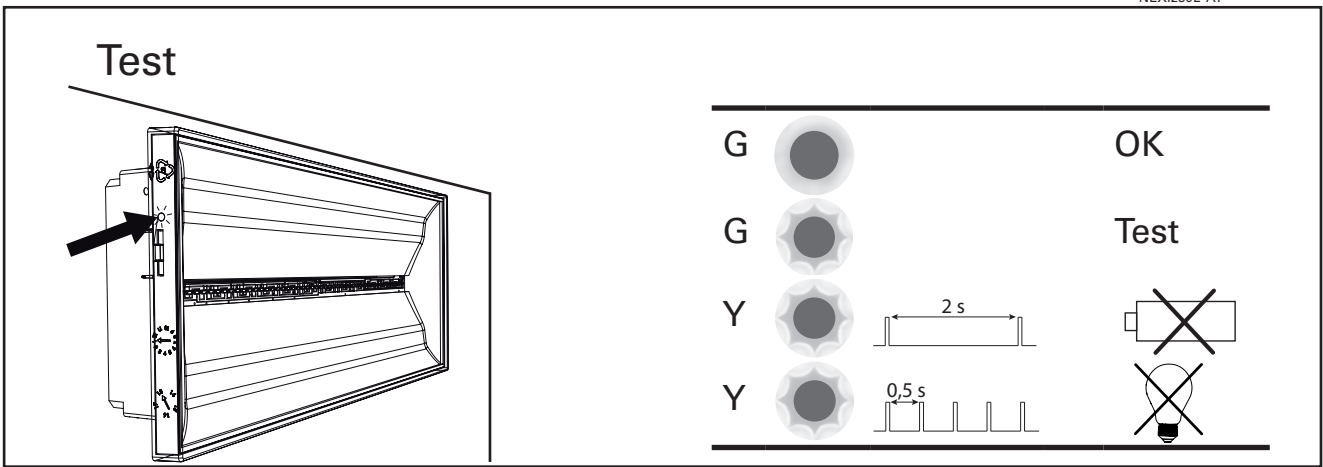


# 7



NEXI100L-AT → 1h

NEXI250L-AT → 1h30



	IP/IK				N.M.	M.
			min	lm	W	W
NEXI100L-AT	40/03	3.6 V 620 mAh 2.3 Wh	60	100	0,6	2,2
NEXI250L-AT	40/03	3.6 V 3 300 mAh 12 Wh	90	250	0,7	2,4

