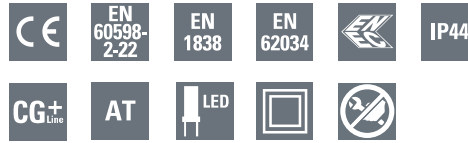
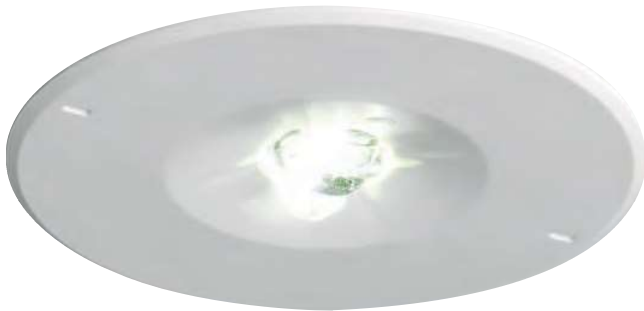


1.4

Safety luminaires - Indoor

Micropoint 2 High Output

1



- Versatile multi-functional use (high ceiling, NFPA 101 escape route and specific locations as stated within BS 5266-1:2011)
- Low power consumption reducing cost of ownership
- Excellent spacing reducing the quantity of fittings required
- 60,000 hour life LED for reduced maintenance

Light Source:

1 x 2,5W LED

Consumption 7.2VA/3,9W

Materials:

Luminaire body: polycarbonate

Remote gear pod - flame retardant ABS

Battery box- steel powder coated in RAL9016

Battery – Ni-Cd

Micropoint 2 High Output remains a high specification LED emergency down light designed for use as both escape route and anti-panic emergency lighting in high ceiling applications. It meets the requirements for the specific high-risk locations such as disabled refuge areas, plant rooms, kitchens, first aid rooms, treatment rooms and reception areas and meets the requirements to reach 10,8 lux average light output in an escape route application.

As with the rest of the Micropoint 2 range, ease of installation, reduced energy consumption and minimal maintenance reduce the total cost of ownership without compromising on performance or aesthetics.

The use of LEDs, automatic testing and monitoring devices (CGLine+) significantly reduce the operating and maintenance costs of the installation.

Installation:

Flush mount

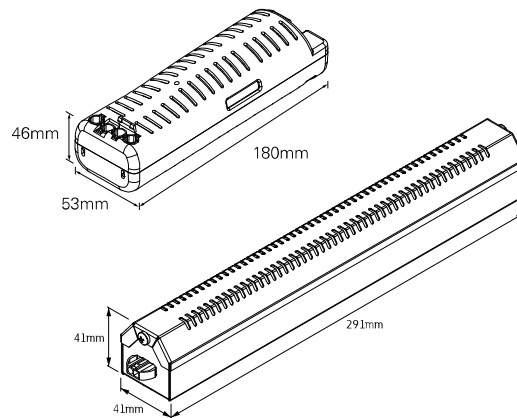
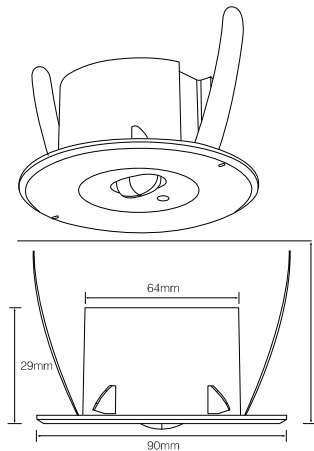
Spring retaining clips for surface installation (install from below ceiling)

Operation:

Non-Maintained luminaire

Applications:

All recessed high risk indoor applications



| Model | Height (m) | Lux level directly under | Escape route 2m wide, 1 Lux min | |
|-----------------------|------------|--------------------------|---------------------------------|-------|
| Self contained | | | | |
| | 15.50 | 01.00 | 04.10 | 22.70 |
| | 14.00 | 01.30 | 06.40 | 22.70 |
| | 12.00 | 01.70 | 07.90 | 22.10 |
| | 10.00 | 02.50 | 08.00 | 21.00 |
| | 8.00 | 04.40 | 07.70 | 19.70 |
| | 6.00 | 07.00 | 07.00 | 18.00 |

Self contained



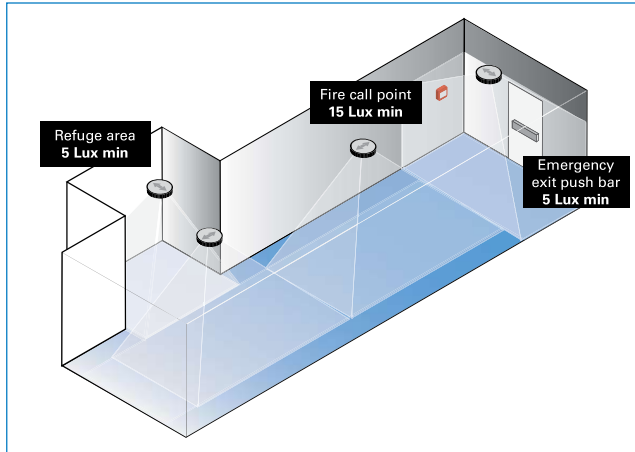
Order code

Description

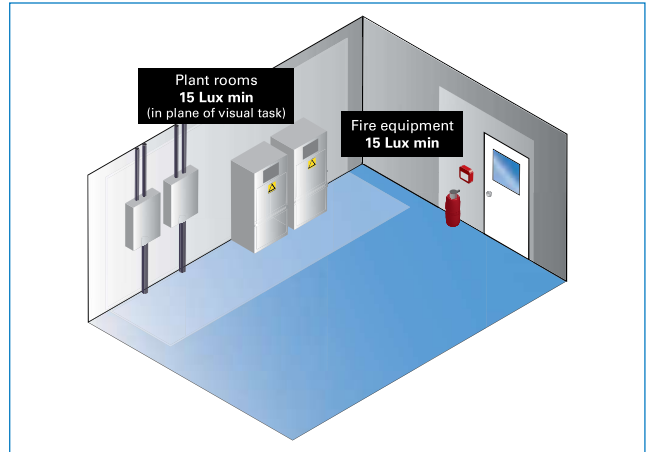


| Order code | Description | | | | | |
|------------|--|------------|--------|----|------------------|----------------|
| MP2HI3H | Non-maintained 3 Hour self-contained | 7.2VA/3,9W | 298 Lm | 3h | 4.8V - 4Ah Ni-Cd | Non-Maintained |
| MP2HI3HIS | Non-maintained 3 Hour self-contained AT | 7.2VA/3,9W | 298 Lm | 3h | 4.8V - 4Ah Ni-Cd | Non-Maintained |
| MP2HI3HCGL | Non-maintained 3 Hour self-contained CGLine+ | 7.2VA/3,9W | 298 Lm | 3h | 4.8V - 4Ah Ni-Cd | Non-Maintained |

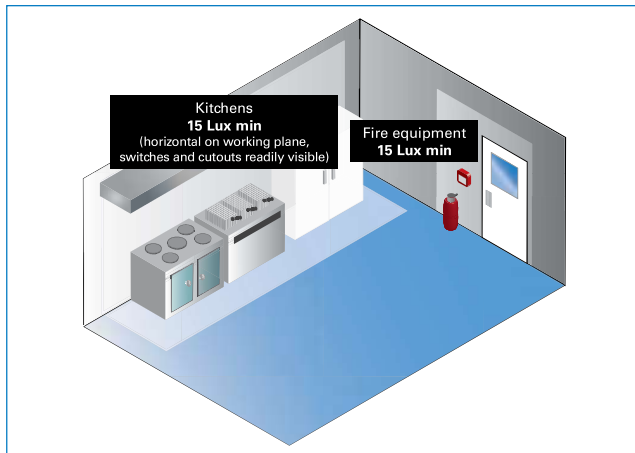
Corridor and refuge area



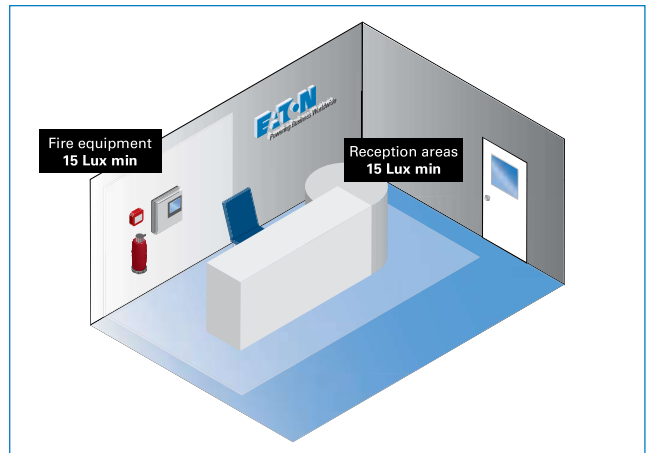
Plant room



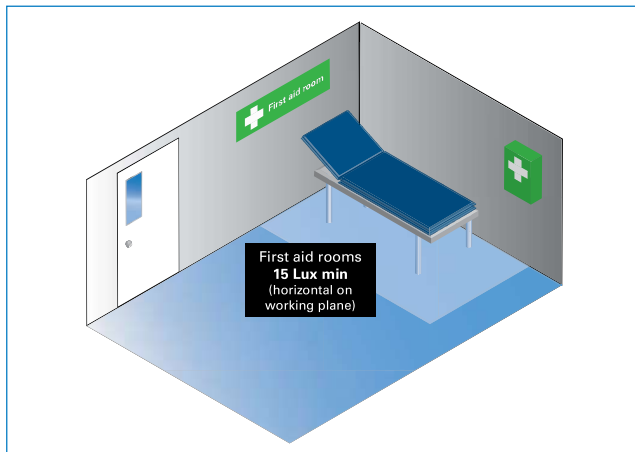
Kitchen



Reception areas



First aid rooms



Treatment rooms

