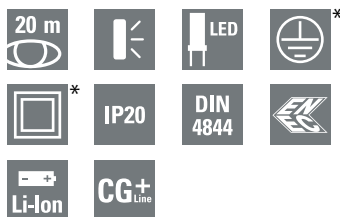


GuideLed 10811, 10812 CGLine+

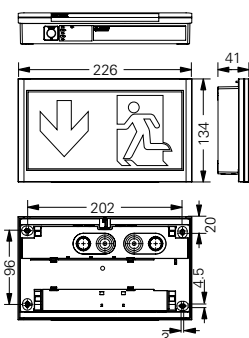
Exit sign luminaire, wall mounting



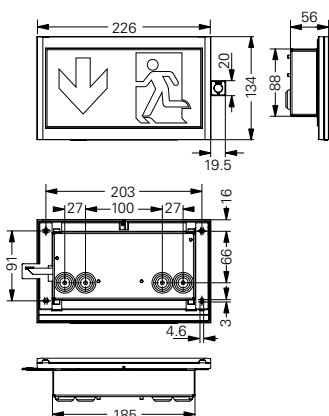
GuideLed 10811, 10812 CGLine+

- LED self contained luminaire with automatic test for reduced inspection effort
- Universal use for maintained and non-maintained operation and for 1 h, 3 h or 8 h operation
- For autonomous installation or connection to the CGLine+ monitoring system
- Environmentally-friendly due to modern lithium ion technology
- Low operating costs via low connected load
- Minimum maintenance effort and increased safety via use of LEDs with high service life (up to 50,000 hours)
- Optimal recognition via high luminance of white contrast colour > 500 cd/m² according to DIN 4844-1 / ISO 3864-1 (for bright surroundings), and high uniformity $L_{min}/L_{max} > 0.8$
- Dimmable in three steps for use in dark ambient conditions
- Simple fault analysis and status display via bicolor LED and testing button
- 1 minute switch-back delay after mains return
- Blocking function prevents unintended discharge during idle operating times (only with CGLine+ WEB-Controller)

10811 CGLine+ with LED pictogram PR



10812 CGLine+ with LED pictogram PR



Viewing distance	20 m
Luminous flux Φ_E/Φ_N at end of rated operating time	100 % at 1 h; 80 % at 3 h; 25 % at 8 h
Housing material	Polycarbonate, PMMA, sheet steel (semi-recessed wall housing)
Housing colour	Light grey RAL 7035
Weight	0.64 kg (10811 CGLine+) 0.84 kg (10812 CGLine+)
Type of mounting	Wall surface-mounting, insulation class II (protective earth required) Semi-recessed wall mounting; insulation class I
Terminals	Through-wiring from mains (L, L', N, PE) to 2.5 mm ² CGLine+ bus through-wiring to 1.5 mm ²
Connection voltage	220 - 240 V AC, 50/60 Hz
Power consumption mains operation (apparent power / effective power)	4.8 VA / 4.1 W
Permissible ambient temperature	Maintained mode -5 °C to +30 °C Non-maintained mode 0 °C to +35 °C
Battery	Lithium ion 3.7 V/2000 mAh with multiple protective circuit
Light source	LED strip

Ordering details – mounting set (LED pictograms must ordered separate)

Scope of delivery	Order No.
Wall mounting set for GuideLed 10811 1-8 h/D CGLine+ and 11811 1-8 h/D CGLine+, surface mounted, incl. LED supply and CGLine+ technology, 20 m and 30 m	40071353260
Wall mounting set for GuideLed 10812 1-8h/D CGLine+, recessed mounting of LED supply and CGLine+ technology, 20 m	40071353261

Ordering details – LED pictograms (fastening set required)

Scope of delivery		Order No.
LED pictogram PL for GuideLed 10x11/10x12, ISO 7010, 20 m		40071354500
LED pictogram PR for GuideLed 10x11/10x12, ISO 7010, 20 m		40071354501
LED pictogram PU for GuideLed 10x11/10x12, ISO 7010, 20 m		40071354502

Please ensure clearance of 10 mm above the luminaire.

* 10811: Protection class 2
10812: Protection class 1